

Electric and Magnetic Field Measurement

8700 SERIES PROBES

PROBE SELECTION

The 8700 series system has the most extensive selection of probes available from any source in the world. The factors that you should consider in selecting the probe, or probes, best suited for your task are:

Frequency Range

The probe frequency range should include the frequencies of all the emitters to be surveyed at one time.

Power Density or Field Strength

The measurement range of the probe should be adequate for the field levels that you anticipate, i.e., Do you expect strong fields or weak fields? Probes give more accurate and more stable readings when they are not used at the extreme low end of their sensitivity range. Therefore, if you anticipate measuring very weak fields, select a probe with a lower power full-scale measurement range to get greater sensitivity. In contrast, higher power probes give additional safety margins, especially at microwave frequencies where field strength can change rapidly with a small change in distance to the source. Select a probe with a higher power full-scale measurement range if you anticipate measuring high level fields.

Electric Field versus Magnetic Field

Most standards recommend that you measure both electric (E) and magnetic (H) fields below 300 MHz (due to the possibility that measurements may be made in the near field). Since most experts agree that the electric field poses a greater danger at lower frequencies due to induced and contact currents that can occur, the electric field is normally measured first. Higher frequency measurements are normally made only of the electric field since measurements will invariably be made in the far field.

Flat Response or Shaped Frequency Response

Flat response probes are the most common. Narda's patented shaped frequency response probes read out in Percent of Standard and are particularly useful in complex, multi-signal environments where exposure limits are different for the various emitter frequencies and in classified environments.

Size and Minimum Measurement Distance

The majority of the 8700D series probes have four inch (10 cm) diameter heads. The minimum measurement distance for these probes is about 4 in (10 cm) from the outside surface of the probe. Measurements made at closer distances can result in inaccurate readings due to capacitive coupling. The Models 8721D, 8723D, 8725D and 8783D have two-inch (5 cm) diameter heads that can be used as close as 2 in (5 cm) from the source to the outside of the probe. These probes are ideal for the measurement of **waveguide leaks**. Similarly, the Model 8781D has a one-inch (2.5 cm) diameter head with a flexible shaft that is designed for locating leaks in densely packaged microwave systems. The 8783D also has a flexible shaft.

Electric and Magnetic Field Measurement

ENVIRONMENTAL SPECIFICATIONS

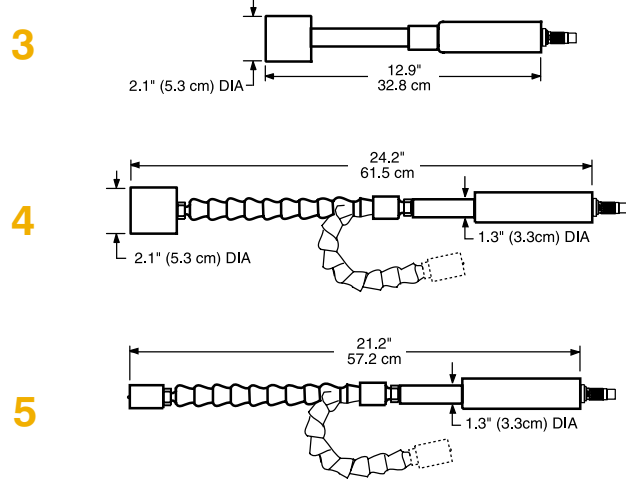
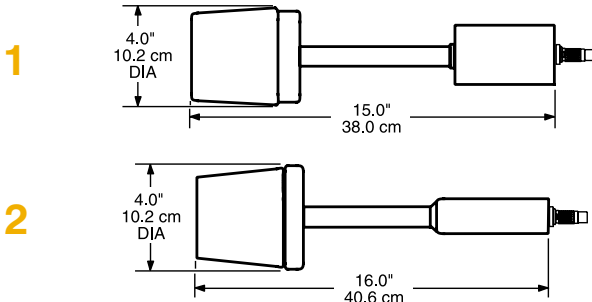
Temperature

Operating -10°C to +55°C

Non-Operating -40°C to +75°C

Humidity 0% to 95%, non-condensing

OUTLINE DRAWINGS



SHAPED FREQUENCY RESPONSE PROBES

The goal in designing and manufacturing a traditional, “flat” frequency response probe is to make the probe equally responsive to energy at every frequency within its rated frequency range. In contrast, Narda’s patented shaped frequency response probes are designed and manufactured so that their sensitivity mirrors a particular standard as closely as possible. For example, many of the major standards in the world set limits for maximum exposure at the lowest frequencies to 100 mW/cm². These same standards typically limit exposure in the VHF region to 1 mW/cm² and to 5-10 mW/cm² in the microwave region. A shaped frequency response probe designed for such a standard is 100 times more sensitive in the VHF region than at the lowest frequencies. The result is that energy from all sources within the probe’s rated frequency range are not only summed in terms of RMS

power but are also weighted in direct proportion to a particular standard.

The readout on the meter is shown in terms of Percent of Standard. The full scale of Narda’s shaped probes is typically either 300% or 600% of a standard. This permits measurements of exposure environments where the weighted field strengths range from as high as three to six times the maximum permissible exposure¹ (MPE) level to environments where the levels are less than one percent of the MPE. For a more complete description of how shaped probes are used in complex, multi-signal environments, refer to the application note *Measuring RF Levels at Multi-Signal Sites* that begins on page 609.

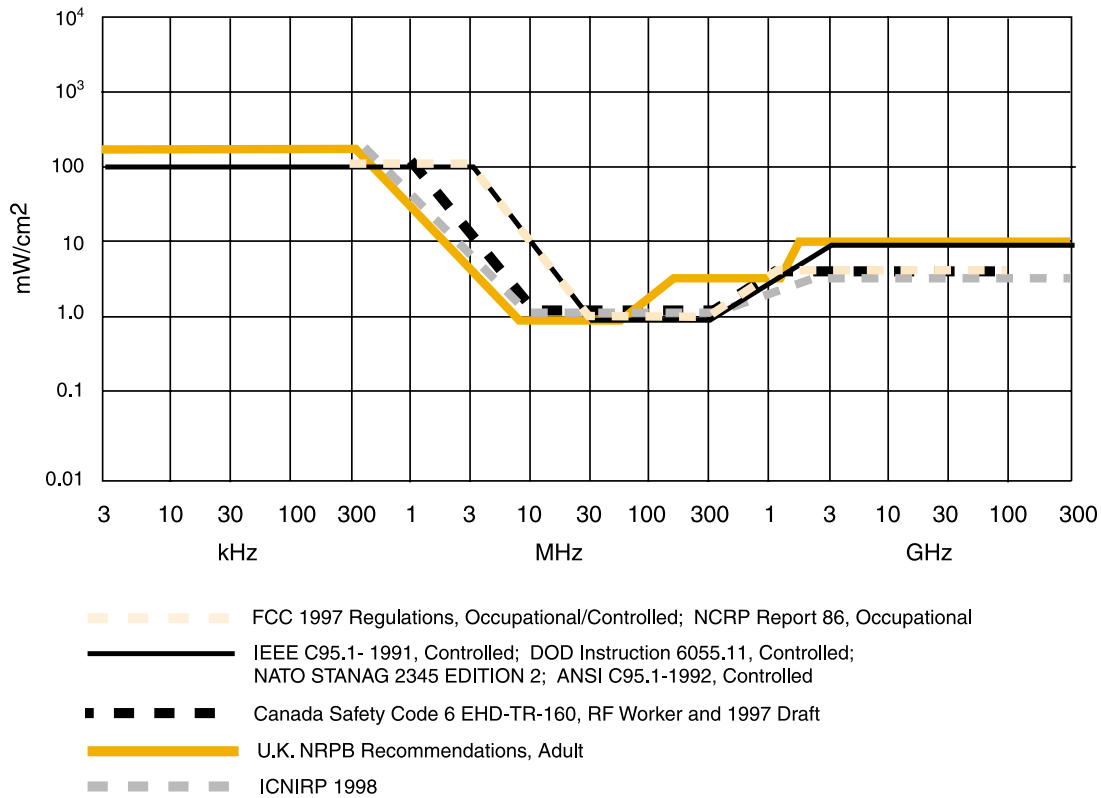
¹ Maximum Permissible Exposure (MPE) level is only one of several terms used to designate the limits imposed by various standards. Other common terms are: Threshold Limit Value (TLV), Permissible Exposure Level (PEL), action limit, and reference level.

SELECTING A SHAPED PROBE

1. Determine the standard that you will be using.
2. Determine which tier of the standard will be used, i.e., Occupational Environment or General Population Environment.
3. Determine whether you must measure the magnetic field as well as the electric field.
4. Select a probe model from the table on the next page.

Electric and Magnetic Field Measurement

MAJOR INTERNATIONAL STANDARDS AND GUIDANCES



SHAPED PROBE SELECTION GUIDE

STANDARD OR GUIDANCE	TIER	MODEL	FREQUENCY RANGE	FULL SCALE RANGE	FIELD
FCC 1997 Japan RCR-38	Occupational / Controlled	A8722D	300 kHz - 50 GHz	300% of Std	E
	Controlled	A8742D	300 kHz - 3 GHz	600% of Std	E
FCC 1997	General Population	B8742D	300 kHz - 3 GHz	600% of Std	E
IEEE C95.1-1991 NATO STANAG 2345 ACGIH	Controlled	B8722D	300 kHz - 50 GHz	300% of Std	E
	— —	A8732D	300 kHz - 200 MHz	300% of Std	H
Canada Safety Code 6	RF Workers	C8722D	300 kHz - 50 GHz	300% of Std	E
ICNIRP 1998	Occupational	D8722D	300 kHz - 50 GHz	300% of Std	E

Electric and Magnetic Field Measurement

ELECTRIC FIELD PROBES

MODEL NO.	FREQUENCY RANGE	MEASUREMENT RANGE			FREQUENCY RESPONSE	SENSOR TYPE	
		Rated	V/m	V ² /m ²			
8782D ^a	3 kHz to 1 MHz	0.1μW/cm ² to 200mW/cm ²	0.61 to 868	0.376 to 753,000	Flat	Active Antenna	
8764D	100 kHz to 300 MHz	100μW/cm ² to 200mW/cm ²	19.4 to 868	376 to 753,000	Flat	Compensated Diode	
8760D	300 kHz to 3.0 GHz	0.05μW/cm ² to 100μW/cm ²	0.5 to 19.4	0.2 to 377			
8761D		10μW/cm ² to 20mW/cm ²	6.13 to 274	37.6 to 75,300			
8762D		100μW/cm ² to 200mW/cm ²	19.4 to 868	376 to 753,000			
A8742D		0.6 to 600% of Standard	—	—			Shaped ^g
B8742D		—	—	—			Shaped ^g
8741D	300 kHz to 50 GHz	50μW/cm ² to 20mW/cm ²	13 to 274	169 to 75,300			Flat
A8722D		0.3% to 300% of Standard	—	—	Shaped ^g		
B8722D							
C8722D							
D8722D							
8721D	300 MHz to 50 GHz ^e	10μW/cm ² to 20mW/cm ²	6.13 to 274	37.6 to 75,300	Flat	Thermocouple	
8723D		50μW/cm ² to 100mW/cm ²	13.7 to 614	188 to 376,000			
8783D							
8725D	1 to 40 GHz ^e	0.5 mW/cm ² to 1000mW/cm ²	43.4 to 1940	1880 to 3,760,000			
8781D	2 to 18 GHz	20μW/cm ² to 20mW/cm ²	8.67 to 274	75.3 to 75,300			

^a Model 8782D probe must be used with fiber optic interface Model 8747. Specifications guaranteed for high power range only.

^b Frequency sensitivity can be compensated for by the use of calibration factors marked on the handle of each probe

^c In power (10 log₁₀) units

^d The fields generated to calibrate the probes are accurate within ±0.5 dB

^e This model can be used up to 100 GHz. Refer to the application note on pages 618

^f Isotropic response ±1 dB from 300 kHz to 3 MHz

^g See Shaped Probe Selection Guide on previous page

Electric and Magnetic Field Measurement

FREQUENCY SENSITIVITY ^{b,c}	ISOTROPIC ^c RESPONSE	CW OVERLOAD (mW/cm ²)	PEAK OVERLOAD (W/cm ²)	CALIBRATION ^d FREQUENCIES	APPROX WEIGHT oz/kg	OUTLINE DRAWING
1dB	0.75dB	1000	1000	3, 10, 14, 30, 100, 300, 540, 700, 1000 kHz	25/0.71	1
±2 dB	±0.75 dB	600	600	0.3, 0.5, 1.0, 3.0, 6.78, 13.56, 27.12, 40.68, 100, 200, 300 MHz	12/0.34	2
±1 dB(3 MHz to 300 MHz) ±2 dB (300 kHz to 3 GHz)	±0.75 dB ^f	10	10	0.3, 0.5, 1.0, 3.0, 6.78 13.56, 27.12, 40.68, 100, 200, 300, 750, 915, 1800, 2450, 2700, 3000 MHz	12/0.34	2
		60	60			
		600	600			
±2 dB from Standard	±0.75 dB	3000% of Standard	32 dB above Standard	0.3, 1, 3, 13.56, 27.12, 100, 300, 500, 750, 915, 1800, 2450, 2700, 3000 MHz	12/0.34	2
±3.0/-1.5 dB(0.3 MHz to 50 GHz) ±1.5 dB(3 MHz to 50 GHz)	±0.75 dB	200	15	0.3, 3, 10, 30, 100, 300, 750 MHz 1, 1.8, 2.45, 4, 8.2, 10, 18, 26.5 40, 45.5 GHz	12/0.34	2
±2 dB from standard	±0.75 dB	3000% of Standard	32 dB above Standard			
+1.25/-3.0 dB (0.3 GHz to 50 GHz) ±1.25 dB (1 GHz to 50 GHz)	±1.0 dB	600	200	0.3, 0.75, 1.8, 2.45 4, 5, 6, 7, 8.2, 9.3, 10, 11, 18, 26.5, 40, 45.5 GHz	10/.028	3
		1500	600			4
±1.25 dB	±1.0 dB	3000	1000	1.0, 1.8, 2.45, 4, 5, 6, 7, 8.2, 9.3, 10, 11, 18, 26.5, 40 GHz	10/0.28	3
+1.25/-3.0 dB (2 GHz to 4 GHz) ±1.25 dB (4 GHz to 18 GHz)	±1.0 dB	300	60	2, 2.45, 4, 5, 6, 7, 8.2, 9.3, 10, 11, 18 GHz	10/0.28	5

Electric and Magnetic Field Measurement

MAGNETIC FIELD PROBES

MODEL NO.	FREQUENCY RANGE	MEASUREMENT RANGE			SHAPE	SENSOR TYPE
		RATED	A/M	A ² /m ²		
8752D	300 kHz to 10 MHz	100μW/cm ² to 200mW/cm ²	0.0515 to 2.31	0.00265 to 5.31	FLAT	Thermocouple
8754D		1μW/cm ² to 2 W/cm ²	0.163 to 7.29	0.0275 to 53.1		
A8732D	300 kHz to 200 MHz	0.3% to 300% of Standard	—	—	Shape 5 ^d	Thermocouple
8731D	10 MHz to 300 MHz	10μW/cm ² to 20mW/cm ²	0.0163 to 0.729	0.000265 to 0.667	FLAT	Thermocouple
8733D		50μW/cm ² to 100mW/cm ²	0.0364 to 1.64	0.00167 to 2.66		

^a Frequency sensitivity can be compensated for by the use of the calibration factors marked on the handle of each probe

^b In power (10 log₁₀ units)

^c The fields generated to calibrated the probes are accurate within ±0.5dB.

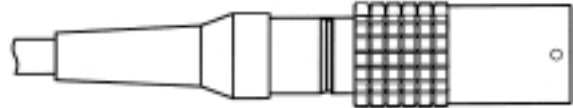
^d See probe selection guide on page 539

8700 SERIES CONNECTOR TYPES

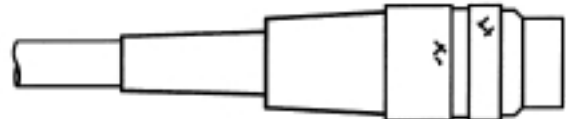
The latest 8700 system equipment uses a new, quick release style 8-pin connector, referred to as "Type L." Older models and the 8700 series meters use a 7-pin, screw type connector, referred to as "Type A."

Most older style 8700 series probes featured integral cables. The new D series probes require the use of a separate cable. One cable is required for each meter, regardless of the number of probes. A four foot long (1.2 m) quick-release cable (Model 8844-04) is supplied with every hand-held meter. The 8717 series meter requires the 8743-XX style cable which must be ordered separately. The 8740 style cables can be used to extend the length of the 8743 style cables.

Type L Male Cable Connector



Type A Male Cable Connector



Electric and Magnetic Field Measurement

FREQUENCY SENSITIVITY ^{a,b}	ISOTROPIC ^c RESPONSE	CW OVERLOAD (mW/cm ²)	PEAK OVERLOAD (W/cm ²)	CALIBRATION ^c FREQUENCIES	APPROX WEIGHT oz/kg	OUTLINE DRAWING
±0.75 dB	±0.5 dB	600	600	0.3, 0.5, 1, 3, 10 MHz	12/0.34	2
		6000	1000			
±1.5 dB from standard	±0.5 dB	900% of Standard	30 dB above Standard	0.3, 1, 3, 10, 30, 100, 200 MHz	12/0.34	2
±0.5 dB (13 MHz to 200 MHz) 2 dB Max deviation (10 MHz to 300 MHz)	±0.5 dB	60	20	10, 13.56, 27.12, 40.68, 50, 75, 100, 150, 200, 250, 300 MHz	12/0.34	2
		300	300			

CONNECTOR USE

EQUIPMENT MODEL	TYPE	GENDER
8718B, 8715, 8712 Meters	L	Female
8717 Series Meters	A	Female
8700D Series Probes	L	Male
8747 Fiber Optic Link	L	Female
8718, 8716, 8711 Meters	A	Female
8700 Series Probes (Except D Series)	A	Male
8745, 8745T, 8746 Fiber Optic Links	A	Female

PROBE EXTENSION CABLES

MODEL	LENGTH	MALE CONNECTOR	FEMALE CONNECTOR
8740-04	4 ft. (1.2 m)	Type A	Type A
8740-06	6 ft. (1.8 m.)	Type A	Type A
8740-12	12 ft. (3.7 m.)	Type A	Type A
8740-24	24 ft. (7.3 m.)	Type A	Type A
8740-40	40 ft. (12.2 m.)	Type A	Type A
8743-04	4 ft. (1.2 m.)	Type A	Type L
8744-04	4 ft. (1.2 m.)	Type L	Type L
8744-12	12 ft. (3.7 m.)	Type L	Type L

USE OF OLDER STYLE PROBES WITH NEW METERS

A special adaptor cable is required to connect older style 8700 probes with the type A connector and integral cable to the current hand-held meters that feature the quick release type L connector. The part number of this 1 ft. (30 cm) type L male to type A female cable is **21787700**.